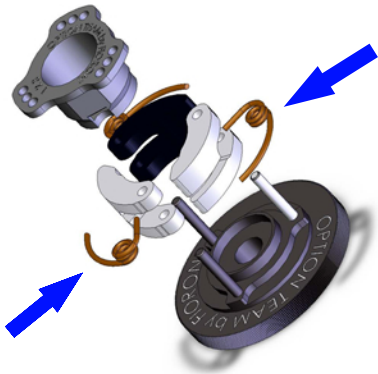


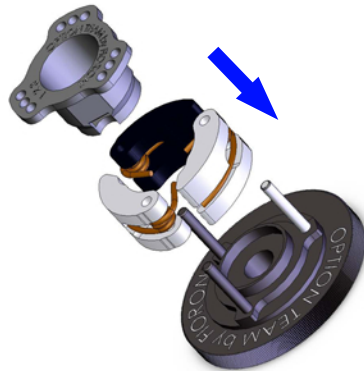


# Vario adjustable clutch by Fioroni

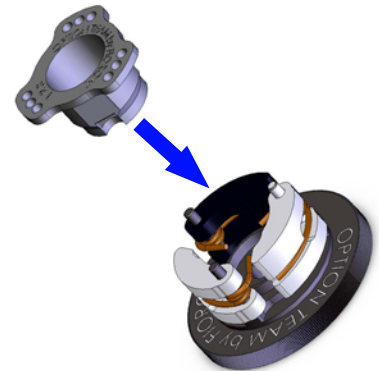
## Assembling instruction



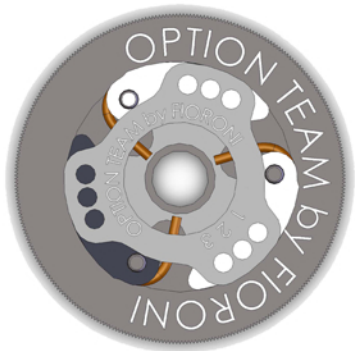
Insert the spring into the shoes



Insert the shoes into dowel pin



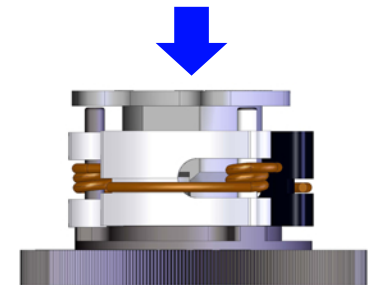
Engage the tension can



Position the can to put the spring end into the hole



Turn the tension can ALWAYS ANTICLOCKWISE



To complete the assembling push down the can